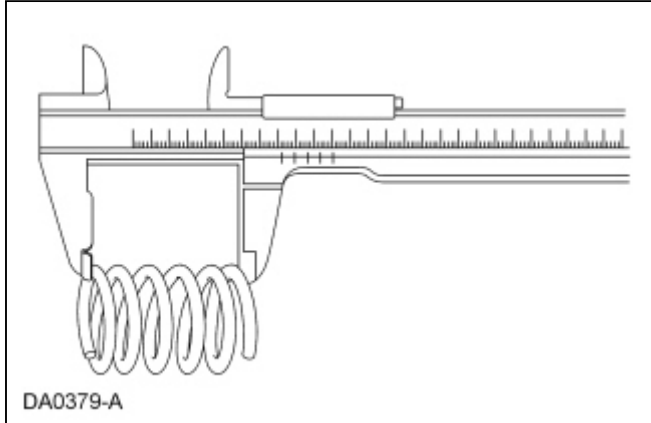


Valve Spring Free Length

NOTE: Refer to the appropriate Section 303-01 for the specification.

1. Measure the free length of each valve spring.



DA0379-A
